

KBC122000 12V 200Ah



The Kaise cyclic batteries were developed for deep discharges with very heavy non-porous battery plates to withstand major discharging and charging cycles (deep cycle). These batteries use different chemistry combinations for the plates with active paste material and a slightly stronger than normal electrolyte, which allows for a much longer life in deep cycle applications.



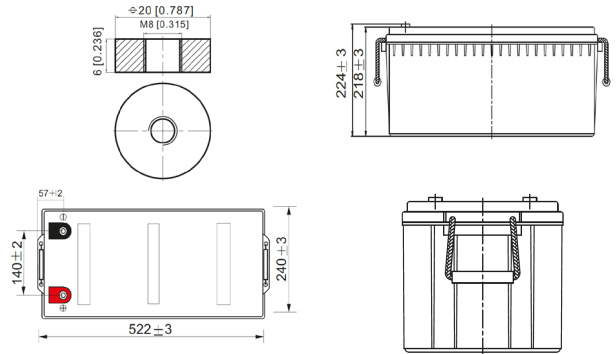
Performance Characteristics

Nominal Voltage	12V	
Dimensions	Length (mm / inch)	522 / 20.55
	Width (mm / inch)	240 / 9.45
	Height (mm / inch)	218 / 8.58
	Total Height (mm / inch)	224 / 8.81
Approx Weight	(Kg / lbs) 62.2 / 137.1	
Design Life	10 years	
Terminal	M8	
Container Material	ABS	
Rated Capacity	214.4Ah / 10.7A	(20hr, 1.80V / cell, 25°C / 77°F)
	200.0Ah / 20.0A	(10hr, 1.80V / cell, 25°C / 77°F)
	175.4Ah / 35.1A	(5hr, 1.17V / cell, 25°C / 77°F)
	129.2Ah / 129.2A	(1hr, 1.60V / cell, 25°C / 77°F)
Max. Discharge Current	2000A (5s)	
Internal Resistance	Approx 2.7mΩ	
Operating Temp. Range	Discharge : -15 ~ 50°C (5 ~ 122°F)	
	Charge : 0 ~ 40°C (32 ~ 104°F)	
	Storage : -15 ~ 40°C (5 ~ 104°F)	
Nominal Operating Temp. Range	25 ± 3°C (77 ± 5°F)	
Cycle Use	Initial Charging Current less than 60.0A	
	Voltage: 14.4VPC ~ 15.0VPC at 25°C (77°F)	
	Temp. Coefficient: -30mV/°C	
Standby Use	No limit on Initial Charging Current Voltage	
	13.5VPC ~ 13.8VPC at 25°C (77°F)	
	Temp. Coefficient: -20mV/°C	
Capacity affected by Temperature	40°C (104°F)	103%
	25°C (77°F)	100%
	0°C (32°F)	86%
Self Discharge	Fully charged Kaise Deep Cycle Series batteries may be stored for up to 6 months at 25°C (77°F) and then a freshening charge is required. For higher temperatures the time interval will be shorter.	

Discharge Constant Current (Amperes) at 77°F (25°C)

Volts/cell	10min	15min	30min	1h	3h	5h	10h	20h
1.80V	374.2	297.7	182.8	111.9	52.0	34.2	20.0	10.72
1.75V	411.1	325.2	189.8	117.0	53.0	35.1	20.2	10.82
1.70V	448.1	347.2	197.5	120.7	54.5	36.0	20.4	11.02
1.65V	483.6	369.2	208.4	124.8	56.8	37.0	20.8	11.16
1.60V	\	394.8	220.0	129.2	58.5	38.2	21.0	11.22

Dimensions and Terminal (Unit: mm (inches))



Applications

- Solar power systems
- Electric wheel chairs
- Golf carts
- Maritime equipment
- Power plants
- Railway systems
- Telecommunications systems
- Cable TV systems
- Emergency power systems

Certifications

ISO 9001:2008 ISO 14001:2008



Discharge Current vs. Discharge Voltage

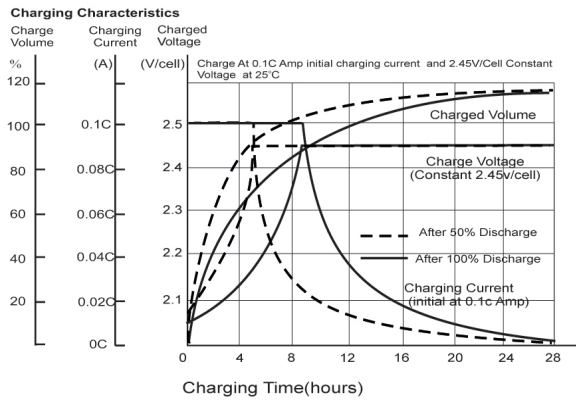
Final discharge voltage V/CELL	1.8	1.75	1.7	1.6
Discharge current (A)	$I \leq 0.1CA$	$0.25CA \geq I > 0.1CA$	$0.55CA \geq I > 0.25CA$	$I > 0.55CA$

Discharge Constant Power (Watts per cell) at 77°F (25°C)

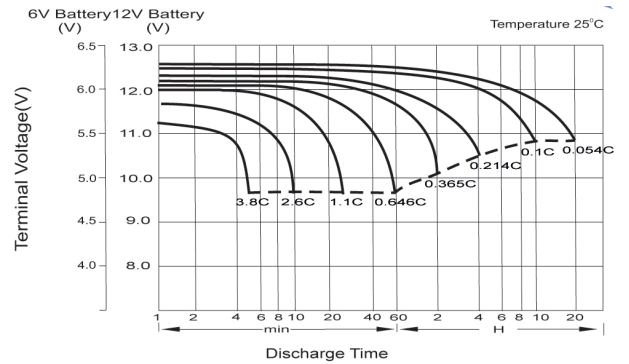
Volts/cell	10min	15min	30min	1h	3h	5h	10h	20h
1.80V	688.8	552.9	347.1	215.8	101.2	66.9	39.6	21.4
1.75V	747.5	598.1	358.5	224.9	102.8	68.6	40.0	21.6
1.70V	803.4	633.9	371.7	231.5	105.4	70.1	40.3	22.0
1.65V	860.8	669.7	390.3	238.5	109.6	72.0	41.1	22.2
1.60V	\	707.6	408.1	244.9	112.4	74.0	41.5	22.3

(Note) The above characteristics data are average values obtained within three charge/discharge cycles not the minimum values.

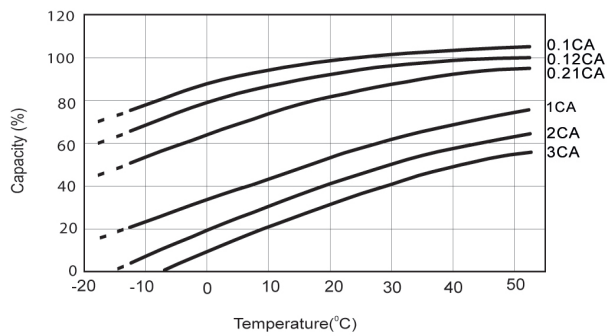
Charging Characteristics (cycle use)



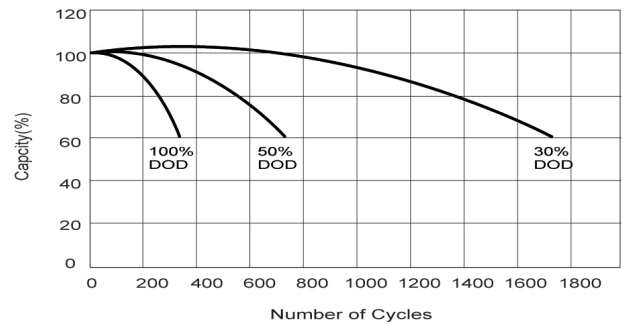
Discharge Characteristics



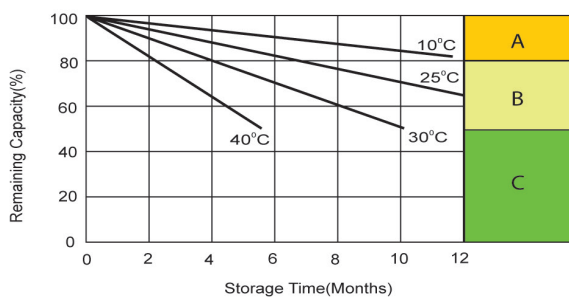
Temperature Effects in Relation to Battery Capacity



Cycle Life in Relation to Depth of Discharge



Self Discharge Characteristics



- A** With switch regulator (two-step controller) charge on curve max. charge voltage for max. 2 hrs/day then switch over to continuous charge.
- B** Standard charge without switching.
- C** Boost charge (Equalizing charge with external generator) charge on curve continuous charge for max. 5 hrs/month, then switch over to curve Standard charge.

IMPORTANT NOTE: The specifications presented herein are subject to revision without notice.