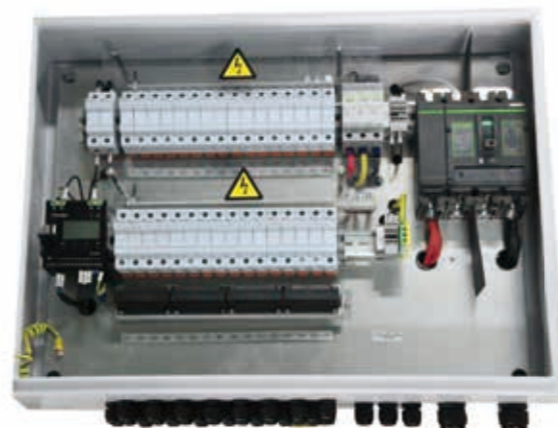


PV Combiner Box



External Appearance



Internal View

For a large-scale grid-tied PV system, it is general to install a DC combining device between the PV arrays and inverters to minimize the cable distance, facilitate maintenance and improve reliability. Chint Power PV combiner box is a highly reliable and practical product to meet CHINA PV industry standard and power electric regulations. A number of PV modules with same features connected in series to the fuse in combiner box, then total amount of 16/12/8 strings connected in parallel which protected by SPD through positive and negative bus to the circuit breaker to upgrade safety of the system.

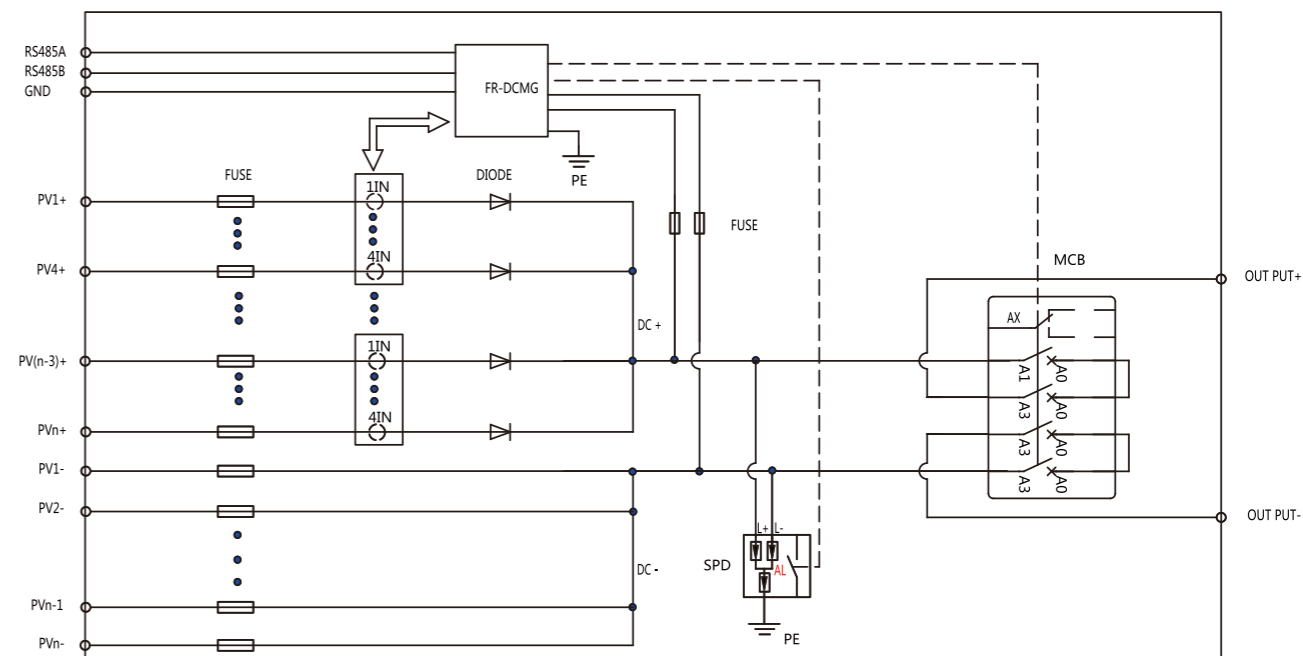
Chint Power PV combiner box configure with DC SPD, fuse, anti-reverse diode and circuit breaker. The smart detection module in the PV combiner box can monitor PV string current, BUS voltage, device status and failure, etc. The fault alarm and communication functions help users to accurately monitor the PV arrays on time, maximize PV system efficiency and troubleshoot failures.

- DC Anti-Arc function(option)
- 8, 16 basic input strings (customizable)
- Min.1000V DC high voltage circuit breaker, safe and reliable
- Specified high voltage DC fuse protection
- SPD protection on both positive and negative poles
- Optional detection module for string current and bus voltage with remote monitoring and status display functions. Fault alarm will be given through communication system when a failure is detected
- The high-precision CPU of detection module features with high performance, wide measuring range, sensitive and accurate current measurement components
- LED user interface for real-time operation status and parameters display, precise and concise, convenient for operation and debugging
- Wall mounting available, water and rust proof, IP65 protection class for outdoor use
- Optional embedded diode for reverse polarity protection
- Convenient for installation and maintenance



Model Name	CPS CB08	CPS CB16
Electric Property		
Max. Input Strings	8	16
Max. DC Voltage	1000V	1000V
Rated Current for Each String (Replaceable)	15A	15A
SPD	Yes	Yes
DC Circuit Breaker	Yes	Yes
Environmental Property		
Protection Degree	IP65	IP65
Operating Temperature Range	-25°C to +55°C	-25°C to +55°C
Operating Humidity	0-95%, non-condensing	0-95%, non-condensing
Operating Altitude	4000m	4000m
Cooling	Natural	Natural
Installation	Wall mounting	Wall mounting
Optional Function		
Anti-reverse diode	Yes	Yes
String Current Measurement	Yes	Yes
SPD Failure Detection	Yes	Yes
Switch Status Detection	Yes	Yes
Communication	Standard: RS485/Optional: Zigbee	Standard: RS485/Optional: Zigbee
Working Power Supply	PV	PV
Mechanical Data		
Dimensions(WxHxD) (mm)	550x450x180/600x700x180(with diode)	680x500x180/600x700x180(with diode)
Weight (kg)	22/36	32/38

Schematic Diagram



System & Monitoring

System & Monitoring